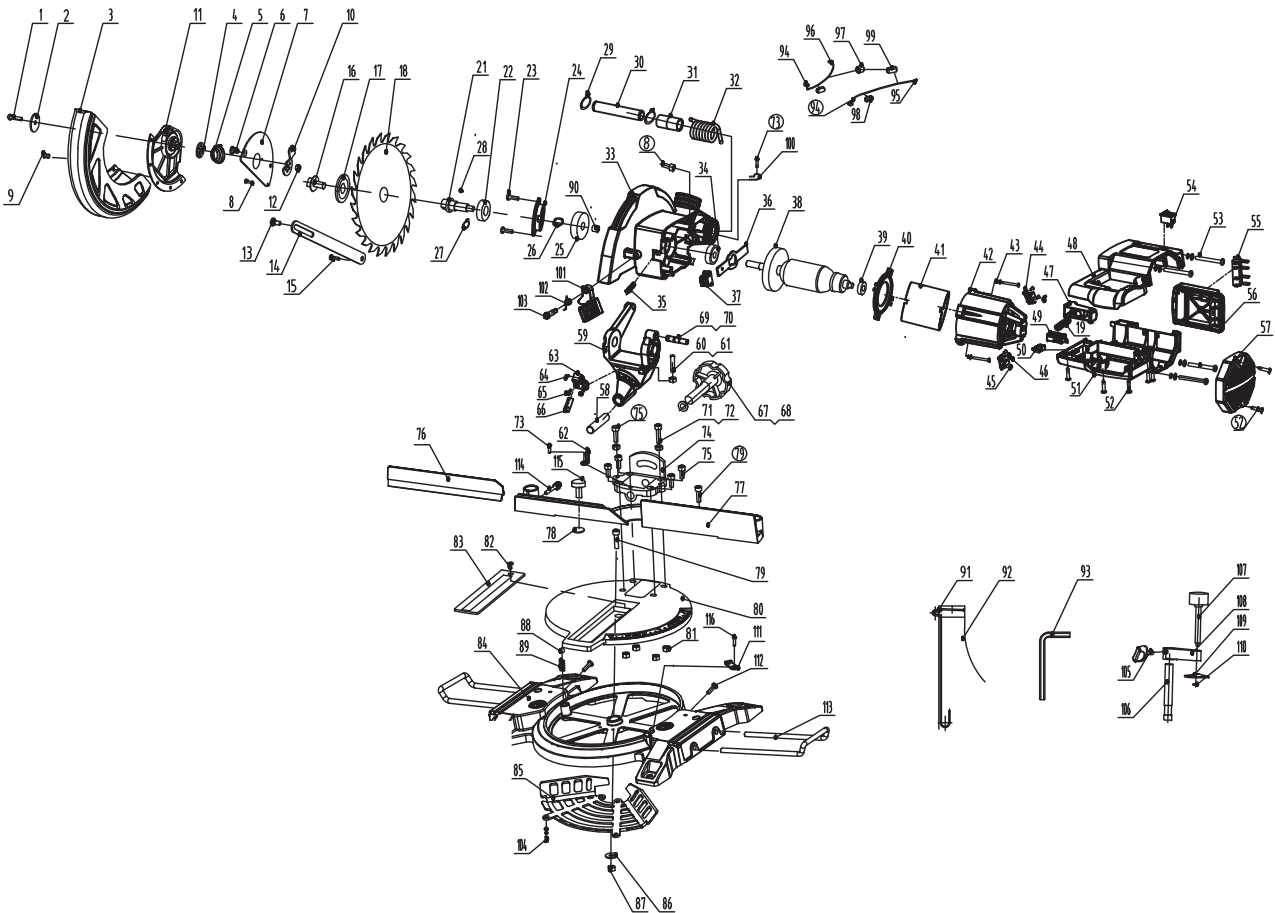


# Exploded drawing of Mitre Saw with laser RDP-SMS20 solo



## Spare Parts List of Mitre Saw with laser RDP-SMS20 solo

No.	Description	Qty
1	Screw M5X20	1
2	Big gasket	1
3	Protective cover	1
4	Six orifice plate	1
5	Tower spring	1
6	Fixing plate locking screw	1
7	Protective cover plate	1
8	Inner hex screw M6X8	2
9	Open type flat head blind rivet 4×8	5
10	Guard rotating board	1
11	Guard liner	1
12	"I" type non-metallic hex locking nut M5	1
13	Push rod fastening screw M6×12	1
14	Link rod/Connecting rod	1
15	Ten (1) large flat headband cushion screw	1
16	Hexagon flange screw M8x16-L	1
17	Saw blade outer board/Upper pressboard	1
18	Saw blade Φ210	1
19	Switch button torsion spring	1
20		
21	Output spindle	1
22	Bearing 6002-Z	1
23	Screw M5X16	2
24	Bearing seat	1
25	Big gear	1
26	Wave spring washer Φ12	1
27	Circlip for shaft 12	1
28	Woodruff key 4×5×13	1
29	Circlip for shaft Φ16	2
30	Saw blade pin shaft	1
31	Torsion spring sleeve	1
32	Big torsion spring	1
33	Saw blade guard cover	1
34	Bearing 6201-2RS	1
35	Self-locking spring	1
36	Self-locking pole	1
37	Self-locking cap	1
38	Rotor	1
39	Bearing 608-2RS	1

## Spare Parts List of Mitre Saw with laser RDP-SMS20 solo

No.	Description	Qty
40	Wind guard	1
41	Stator	1
42	Housing	1
43	Screw M4×16	4
44	Carbon brush holder	2
45	Tapping screw ST2.9×6	4
46	Coil spring	1
47	Switch cover	1
48	Upper handle	1
49	Microswitch	1
50	Microswitch?	1
51	Lower handle	1
52	Tapping screw ST4.2×16	10
53	Screw M5×35	4
54	Rocker switch	1
55	Connector support	1
56	Battery fixed seat A、 B	1
57	Rear cover	1
58	Rocker arm shaft	1
59	Rocker arm	1
60	Hexagon bolt M5×30	1
61	Hexagon nut M5	1
62	Rocker angle pointer	1
63	Laser lamp fixing seat	1
64	Screw M5×8	1
65	Screw M4×12	2
66	Laser lamp	1
67	Rocker arm locking handle	1
68	Plain washer 8	1
69	Pull pin	1
70	"O" ring	1
71	Inner hex screw M6×16	1
72	Inner hex nut M6	2
73	Screw M4×12	2
74	Rocker seat	1
75	Inner hex screw M6×12	5
76	Subsidary fence-L	1
77	Fence	1
78	Margin	1

**Spare Parts List of Mitre Saw with laser RDP-SMS20 solo**

No.	Description	Qty
79	Inner hex screw M6X25	3
80	Turntable	1
81	Square nut M6	4
82	Screw M4X6	1
83	Protective sider	1
84	Base	1
85	Guard plate	1
86	Extra large washer	1
87	"I" type non-metallic hex locking nut M6	1
88	Steel ball $\phi 8$	1
89	Steel ball spring	1
90	Oil bearing $\Phi 13 \times \Phi 9 \times 10$	1
91	Steel rack	1
92	Dust bag	1
93	Inner hex spanner 6mm	1
94	Carbon brush/Set	1
95	White electronic wire	1
96	Red electronic wire	1
97	Magnet loop	1
98	Clamping magnetic loop	1
99	Clamping magnetic loop	1
100	"R" type wire clamp	1
101	Driving rod	1
102	Driving rod torsional spring	1
103	Driving rod screw	1
104	Combinated screw M4X8	4
105	Clamp knob M6 $\times$ 13	1
106	Clamp pole	1
107	Clamp screw	1
108	Clamp bracket	1
109	Jaw pressboard	1
110	Circlip for inner tooth shaft 5	1
111	Base angle pointer	1
112	Screw M6X22	2
113	Support pole	2
114	Subsidiary fence locking knob M6 $\times$ 30	1
115	Imitation knurled screw M6 $\times$ 9	1
116	Screw M4X8	1